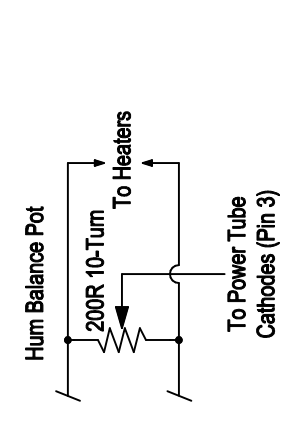
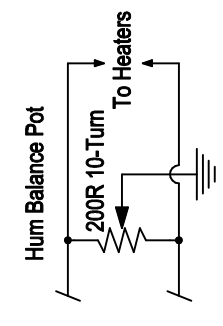
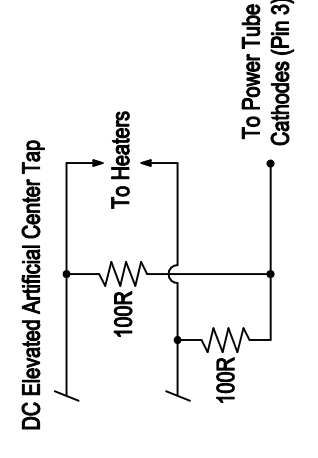
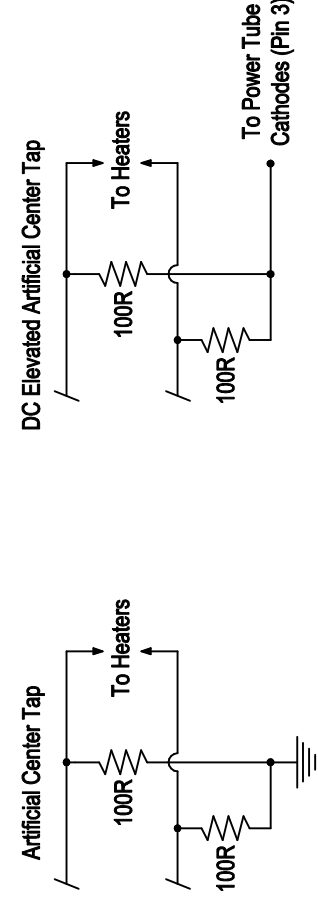
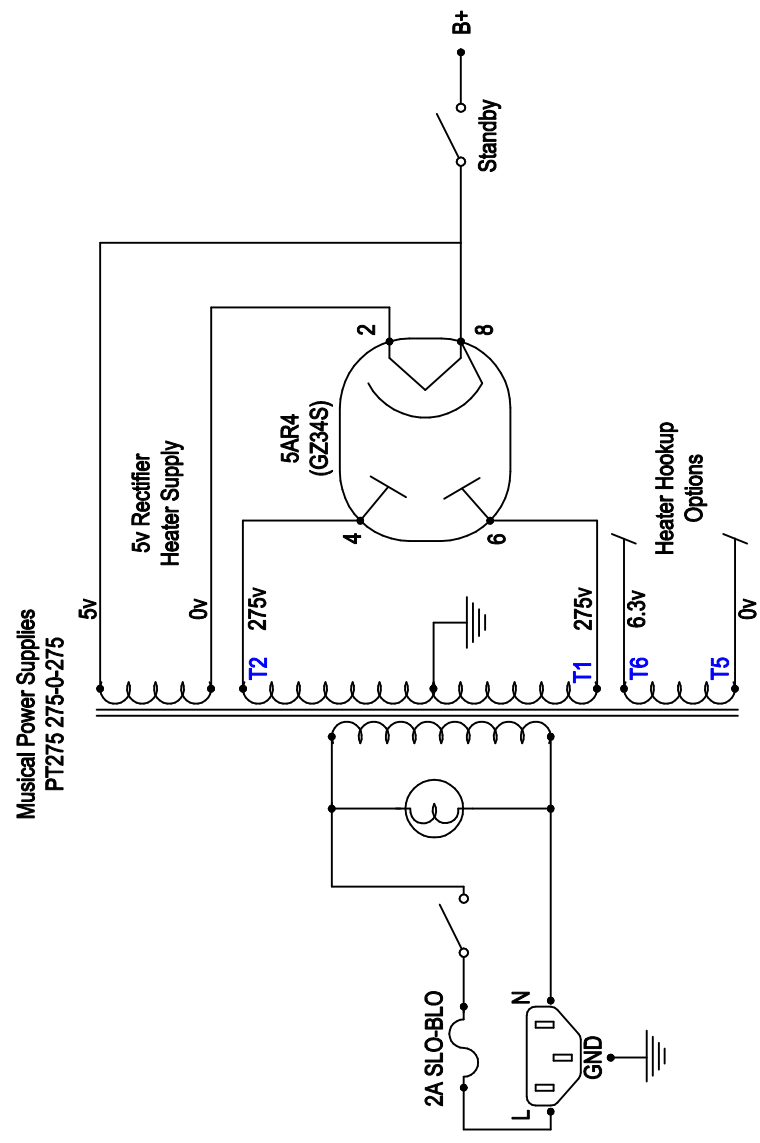
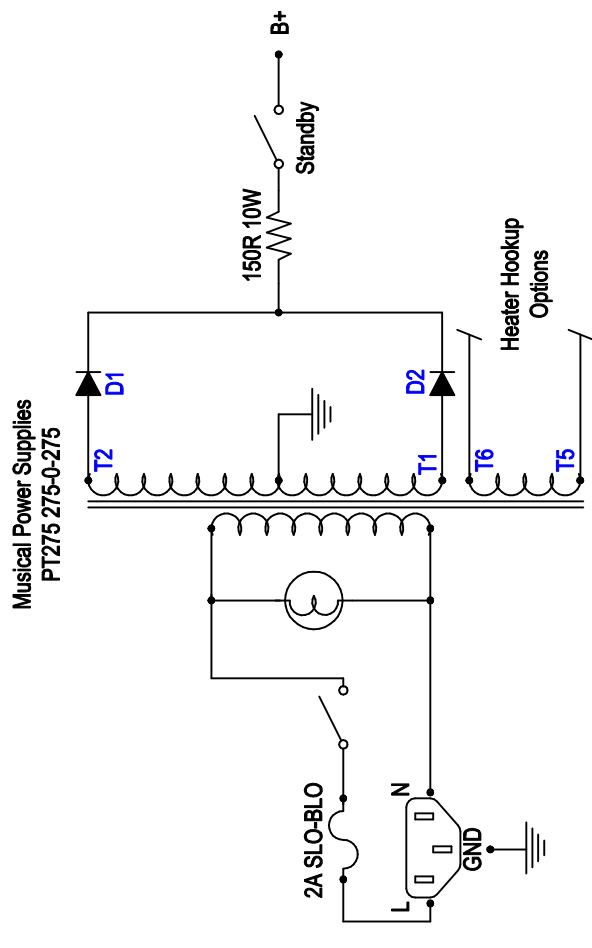
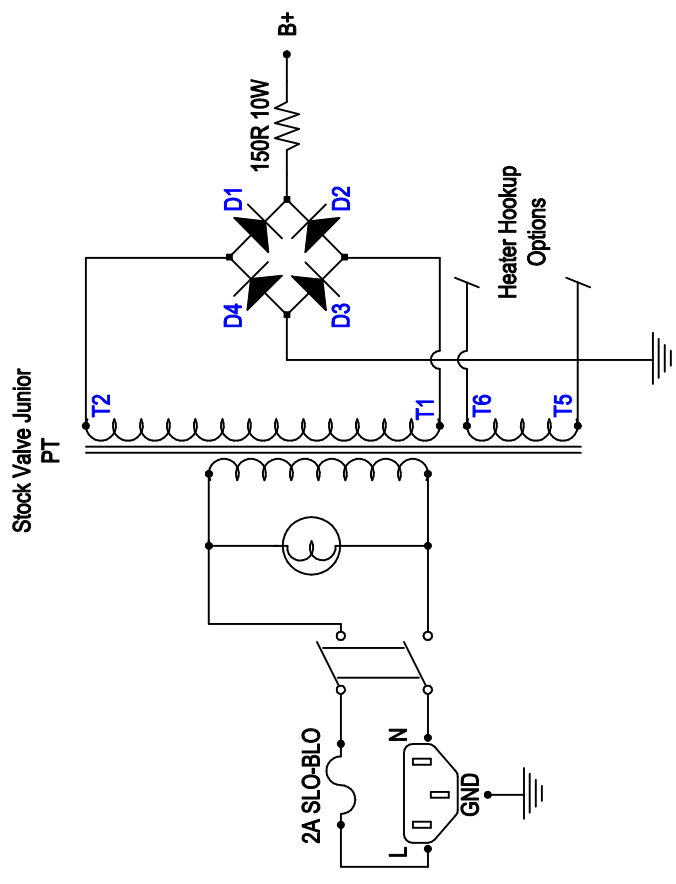


<b>GuitarAmplifierPCBs</b>	
<b>18 Watt Little "Baby Will"</b>	
Document Version	1
PCB Version	1.3
Date	17 December 2008
Revised By	Z_Stingray



GuitarAmplifierPCBs.com	
18 Watt Little "Baby Will"	
Document Version	1
PCB Versions	1.3
Date	17 December 2008
Revised By	Z_Stingray