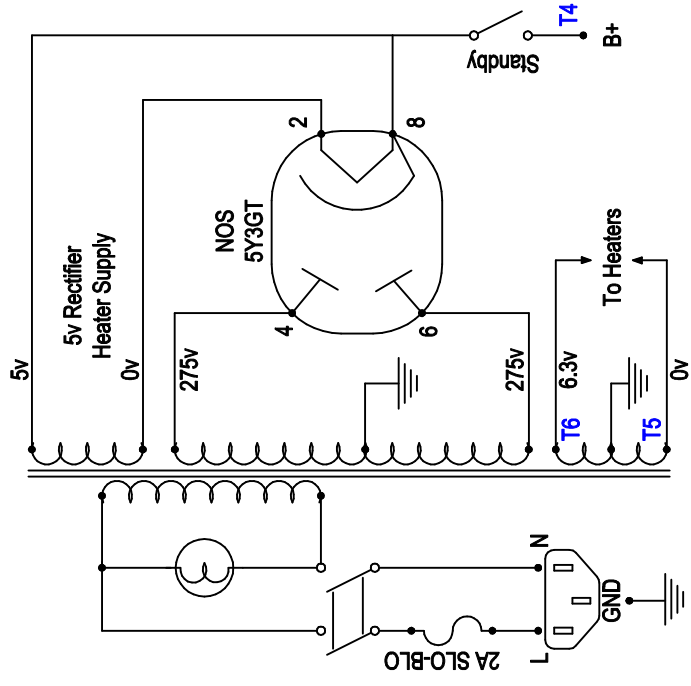
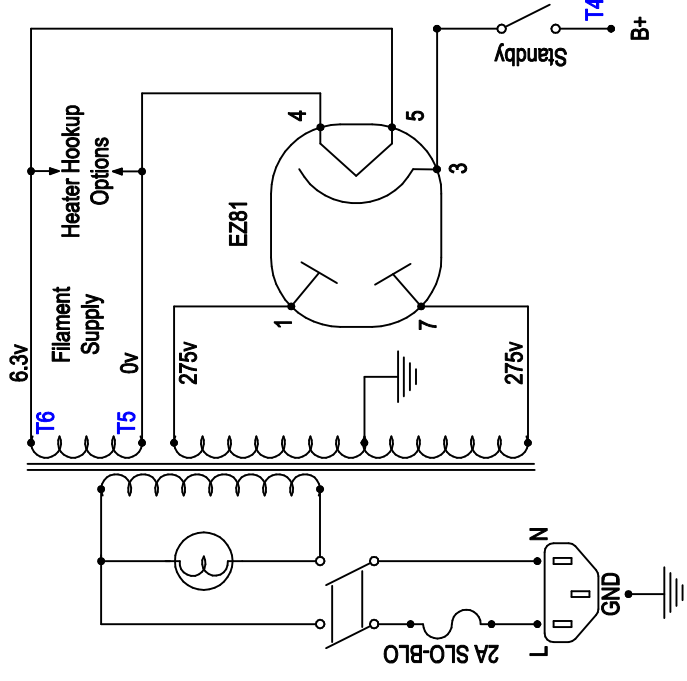


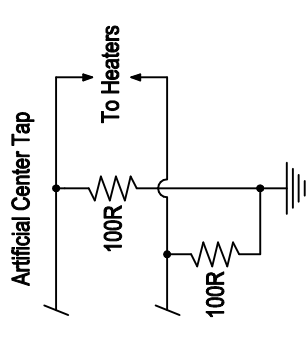
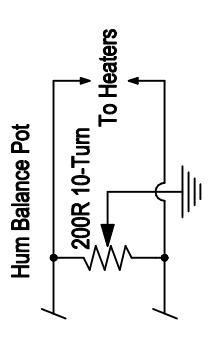
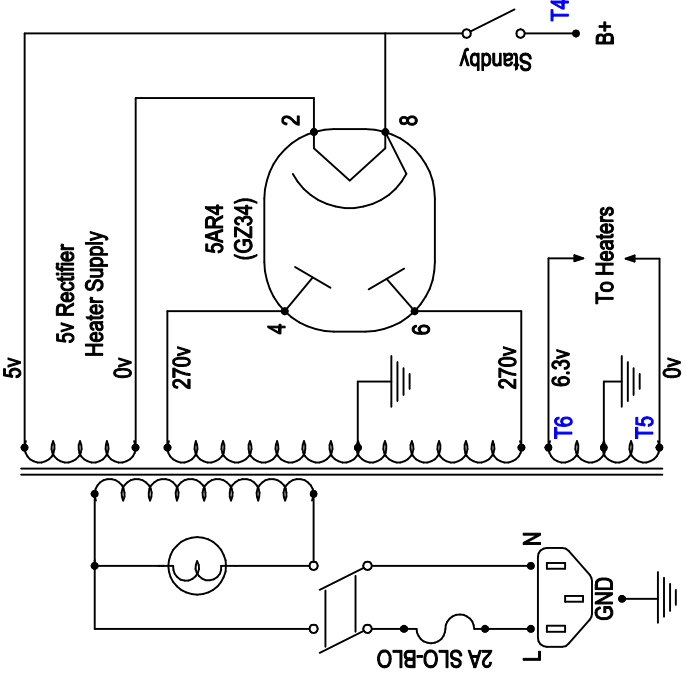
Hammond PT 270FX
275-0-275



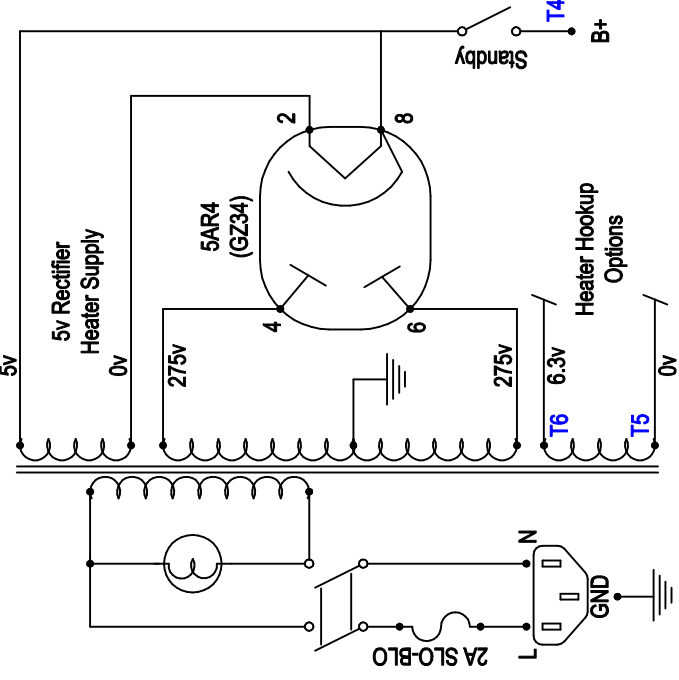
Edcor XPWR106
275-0-275



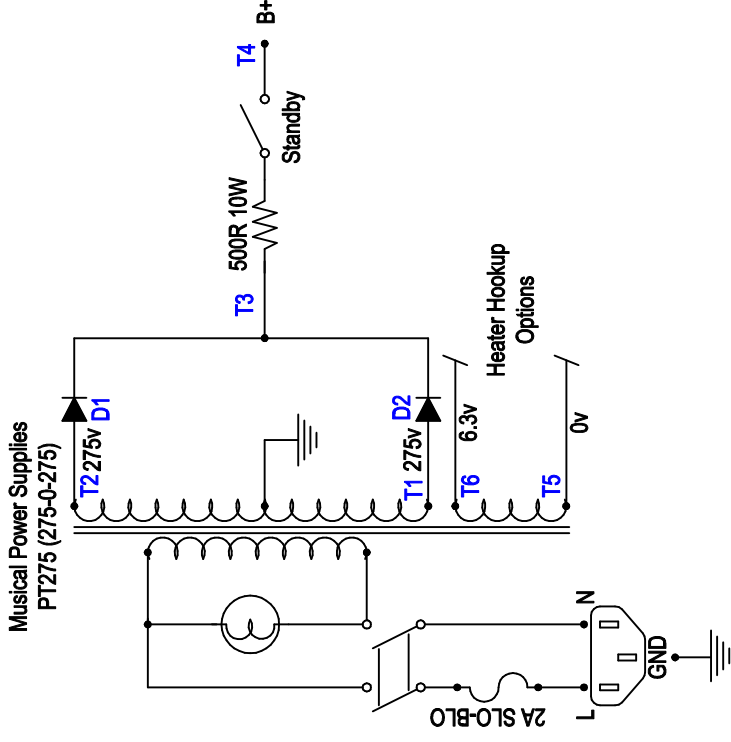
Ted Weber W025130
270-0-270



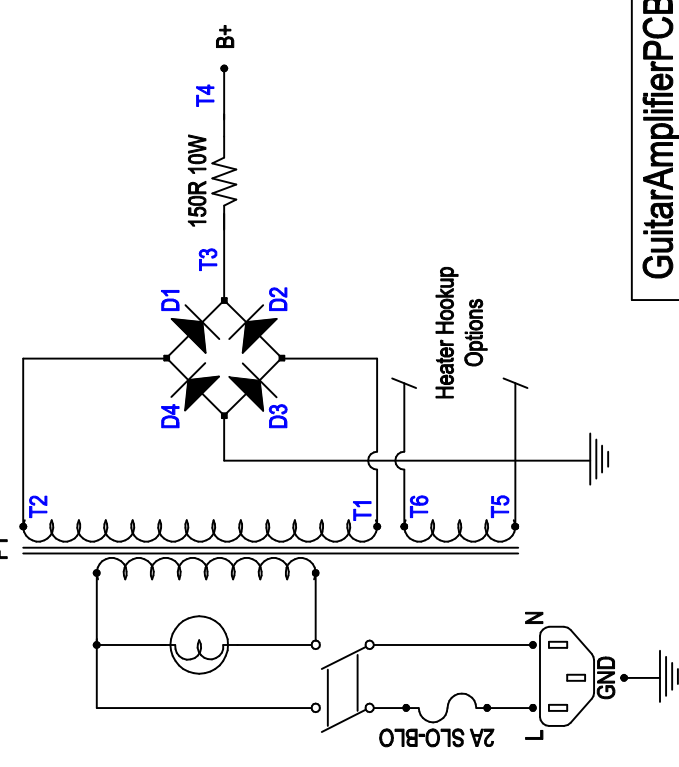
Musical Power Supplies
PT275 (275-0-275)



Musical Power Supplies
PT275 (275-0-275)



Stock Valve Junior
PT



18 Watt SuperLite PCB	
Document Version	3
PCB Versions	1.0
Date	14 February 2009
Revised By	Z_Stingray