

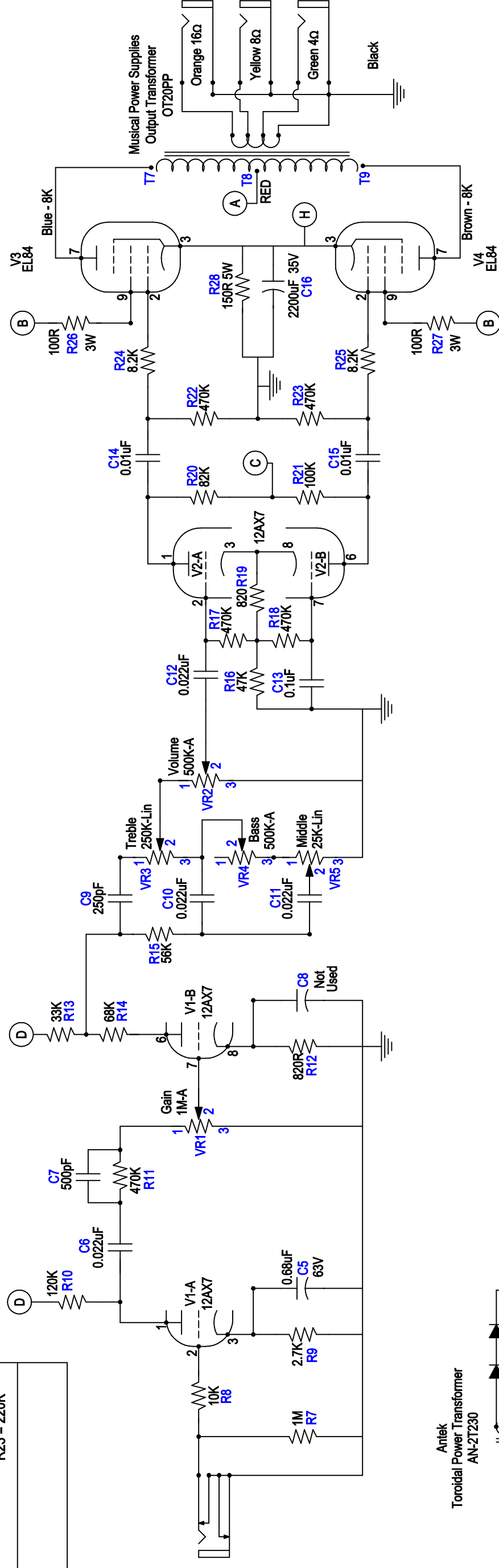
Tweaker's Table

More Headroom

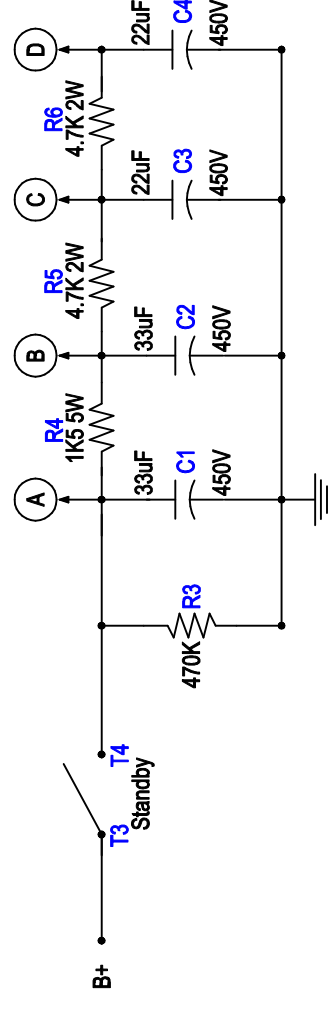
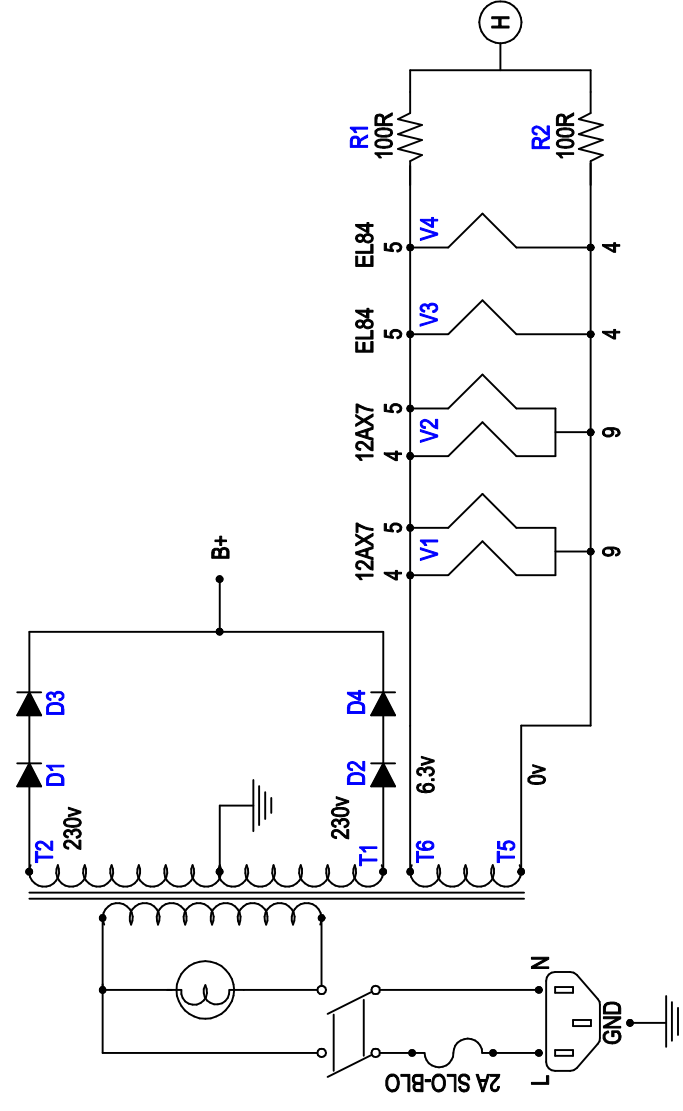
R10 = 100K
R22 = 220K
R23 = 220K

Stinger Tube Audio, LLC

www.GuitarAmplifierPCBs.com



Antek
Toroidal Power Transformer
AN-2T230



Stinger Tube Audio, LLC

SuperLite II (18 watt)

Document Version

3

PCB Versions

2.7

Date

12 June 2010

Revised By

Terry Stinger